

PedestalPro

PAVING SUPPORTS



Fully adjustable
paving support
system with pivoting,
self-levelling head

PedestalPro

PAVING SUPPORTS

Supporting your project

PedestalPro can provide your project with the ideal paving support solutions.



IDEAL FOR USE WITH:

- Roof areas, terraces, balconies, greenroofs
- Structural podium decks
- Communal/public areas
- Walkways/wheelchair access ramps
- Gardens/domestic properties
- Temporary paving areas
- Patio overlays/renovations

Whether large scale development schemes or small scale podiums, gardens or green roof decking areas, PedestalPro will provide a stable, strong and long lasting solution.

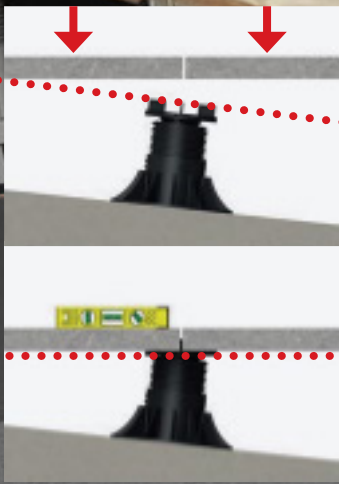
PedestalPro PH

SELF-LEVELLING, ADJUSTABLE
PEDESTALS

Supporting your project

The PedestalPro PH self-levelling adjustable pedestal is unrivalled in its field. Designed to support any type of calibrated paving, it offers the highest compressive strength of any pedestal system on the market.

Its unique self-levelling head and impressive height range will accommodate even the most complex paving issues – including sloping areas, drainage and maintenance access.



KEY BENEFITS

- Unique self-levelling design offers slope correction up to 10.5%
- Ultimate compression strength for maximum durability
- Simple design ensures rapid installation
- For use with any type of calibrated paving - concrete, granite, porcelain, etc.

SELF-LEVELLING PAVING SUPPORT HEAD

Due to its innovative self-levelling head design, PedestalPro Paving System has the fastest installation time of any pedestal system available.

- Utilises the 'ball & socket' joint concept to allow a free moving captive head
- Provides slope correction of up to 10.5% (6°)
- Paving or decking is laid onto the pedestals without having to manually adjust slope correction. This results in significant time savings and a perfectly level finished area
- Alternative head available to support decking.

HEIGHT EXTENSION COLLAR

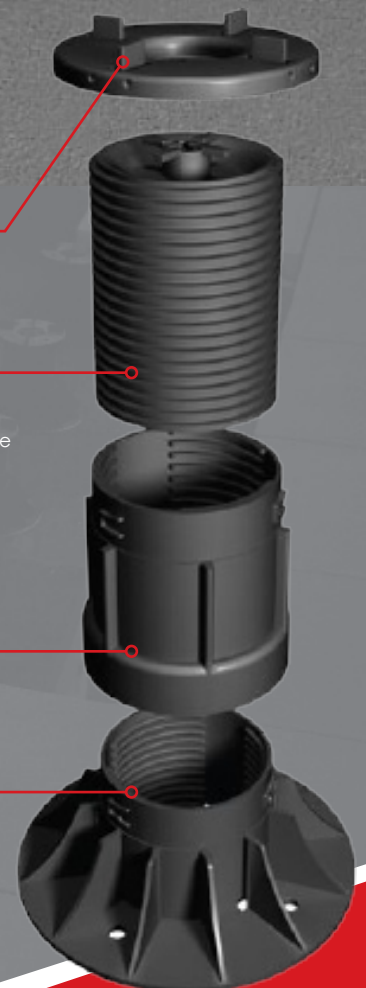
A very simple design with a single 'click' motion to attach, these extension collars build up the pedestals in 100mm increments.

WIDE SUPPORTING BASE

PedestalPro PH Paving System creates an evenly spread load on the surface below, ensuring that membranes are well protected. Pedestals are loose laid and do not require fixing to the floor. Designed with water drainage holes to prevent moisture build-up.

ADJUSTABLE THREADED SECTION

This heavy grade threaded section allows you to adjust the height in minute increments, within the given range. It's easy to adjust, simply grab and twist.



PedestalPro PH

SELF-LEVELLING, ADJUSTABLE
PEDESTALS

Supporting your project

SIZE RANGE

The vast height range of the PedestalPro self-levelling adjustable pedestal allows it to overcome very large changes in surface level, and also conceal services, ductwork and pipes beneath the paving.

TECHNICAL SPECIFICATIONS

Material	PP Polypropylene (recyclable), UV resistant
Biological/Chemical	Resistant to moulds, algae, alkali, bitumen
Height Range	40mm – 1000mm
Compression	2100 Kg (certified compression data available on request)
Base Diameter	210mm / 220mm
Head Diameter	130mm
Spacer tab thicknesses	2mm / 4mm (standard) / 6mm
Working Temperature	-40°C – 120°C



OPTIONAL EXTRAS

Perimeter Spacer Tab



Spaces the paving evenly against perimeter walls/ parapets, reducing movement and ensuring membrane protection.

Base Rubber Shock Pad



Installed to enhance acoustic properties, or where membrane requires additional protection.

Non-rocking head



For use when the head needs to remain in the flat position.

Head Rubber Shock Pad



Installed to enhance acoustic properties, and reduce movement with specific paving types e.g. porcelain.



PEDESTAL QUANTITY CALCULATIONS

For help calculating quantities of pedestals you require, or for any other guidance regarding your project, call Roof-Pro on 01536 383865.

PedestalPro FH

FIXED HEAD ADJUSTABLE
PEDESTALS

Supporting your project

The PedestalPro FH (fixed head) adjustable pedestal offers a high quality and economical option for supporting paving systems on completely level surfaces.

Its impressive 22 – 550mm height range makes it perfect for areas with problematic height restrictions, as well as areas where greater height build up is required. With a simple but very effective design, this pedestal makes for rapid and effortless paving installations.



KEY BENEFITS

- Robust product ensuring stability of paving area
- Perfect for very low height installations; adjusts down to 22mm
- Accommodates all types of calibrated paving - concrete, granite, porcelain, etc.

PAVING SUPPORT HEAD

Due to its low profile design, the support head allows this pedestal to go right down to 22mm height. The head utilises a clever connection which allows it to turn freely on top of the adjustable threaded section of the pedestal, meaning that the pedestal height can be adjusted once the paving is on top. Paving is spaced perfectly by the uniform spacer tabs.

ADJUSTABLE THREADED SECTION

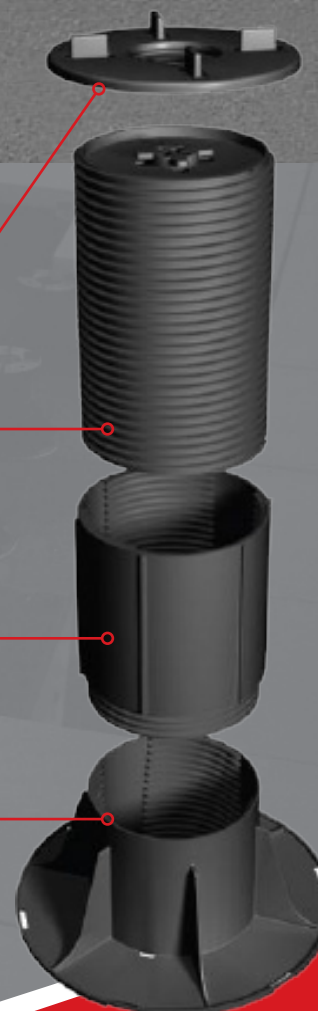
The robust threaded section allows for incremental height adjustment within the given range. Effortless to adjust, simply turn the section by hand, even once the paving is in place.

HEIGHT EXTENSION COLLAR

The extension collar part adds 126mm of height by simply threading onto the base of the pedestal. This simple yet sturdy connection makes light work of supporting paving areas right up to 550mm. It is not necessary to determine how many of these extension collars are required; the correct quantity is supplied according to what pedestal size is chosen.

SUPPORT BASE

The broad base spreads the load on the surface below and ensures stability. The pedestals are normally loose laid onto roofing membranes which must not be penetrated, or can be mechanically fixed to concrete or other substrates.



PedestalPro FH

FIXED HEAD ADJUSTABLE
PEDESTALS

Supporting your project

SIZE RANGE

The PedestalPro FH (fixed head) adjustable pedestal is the perfect solution where paving is to be supported on a totally flat area. Capable of supporting joists as low as 22mm off the surface, it will overcome the common problem of height restrictions, as well as quickly and simply elevating paving areas up to 550mm high.

TECHNICAL SPECIFICATIONS

Material	PP Polypropylene (recyclable), UV resistant
Biological/Chemical	Resistant to moulds, algae, alkali, bitumen
Height Range	22mm – 550mm
Compression	1000kg
Base Diameter	200mm
Head Diameter	120mm
Spacer tab thicknesses	2mm / 4mm (standard) / 6mm
Working Temperature	-40°C – 120°C



Spacer Tab

Thickness Options: Standard: 4mm or Optional: 2mm/6mm



Base Rubber Shock Pad

Installed to enhance acoustic properties, or where membrane requires additional protection.



Head Rubber Shock Pad

Installed to enhance acoustic properties, and reduce movement with specific paving types, e.g porcelain.

PEDESTAL QUANTITY CALCULATIONS

For help calculating quantities of pedestals you require, or for any other guidance regarding your project, call Roof-Pro on 01536 383865.

PedestalPro S

STACKABLE PAVING SUPPORT PADS

Supporting your project

PedestalPro S are low height stackable paving supports and are the perfect solution where paving requires elevation off the ground by a minimal height.

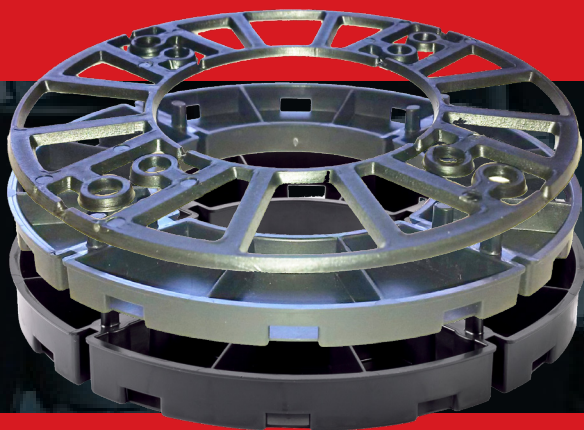
Simple to install and adjust, they are a very economical method of creating a clear space below the paving, which allows for rapid water drainage.

KEY BENEFITS

- Robust product ensuring stability of paving area
- Perfect for very low height installations; adjusts down to 22mm
- Accommodates all types of calibrated paving - concrete, granite, porcelain, etc.

STACKABLE PAVING SUPPORTS

PedestalPro S stackable paving supports create a perfectly uniform gap below the slabs, and can be stacked up to 3 units high. Designed for use on totally flat surfaces, such as a roof area with 0° fall, and incorporating a 3mm shim which allows for finer height adjustment where required.



TECHNICAL SPECIFICATIONS

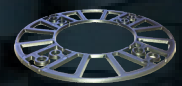
Material	PP Polypropylene (recyclable), UV resistant
Biological/Chemical	Resistant to moulds, algae, alkali, bitumen
Height Range	3 – 51mm
Diameter	150mm
Spacer tab thicknesses	3mm
Max allowable load (grate)	-40°C – 120°C



15mm stackable paving support



10mm stackable paving support



3mm stackable paving support shim
(For use in conjunction WITH 10 & 15mm stackable for fine height adjustment)

RUBBER PAVING SUPPORT

Rubber paving supports have increased shock absorbent properties, making them ideal for use with old or less durable membranes. Manufactured from solid rubber, they also have enhanced acoustic characteristics over the polypropylene options.

TECHNICAL SPECIFICATIONS

Material	Rubber
Biological/Chemical	Resistant to moulds, algae, alkali, bitumen
Height Range	120mm
Diameter	4mm
Spacer tab thicknesses	



VISIT OUR
WEBSITE FOR:

- Detailed product information
- Downloadable brochures
- CAD / BIM files
- Datasheets
- Videos
- Latest news

CONTACT ROOF-PRO
SUPPORT MANAGEMENT
SYSTEMS

Telephone: 01536 383 865
Email: info@roof-pro.co.uk
Website: www.roof-pro.co.uk

www.roof-pro.co.uk

Telephone: 01536 383 865

For further technical information such as Product
Datasheets, CAD and BIM Details
visit www.roof-pro.co.uk today.



Alumasc Building Products Ltd
White House Works, Bold Road
Sutton, St Helens,
Merseyside WA9 4JG
Main Reception: +44 (0)1744 648400
Email: info@alumascroofing.com

All reasonable care has been taken in the preparation of this brochure, all information, recommendations and guidance notes on the use of The Products are made without guarantee since the conditions of use are beyond the control of Alumasc Exterior Building Products Limited (The Company).

The customer is responsible for ensuring that each product is fit for its intended purpose and that conditions for use are suitable.

The information contained in this brochure and advice arising there from is free of charge and accordingly on the terms that no liability nor liability for negligence will attach to The Company or its servants in relation to any such service arising out of or in connection with this brochure.

The Company pursues a policy of constant product development and information contained in this publication is therefore subject to change without notice.
