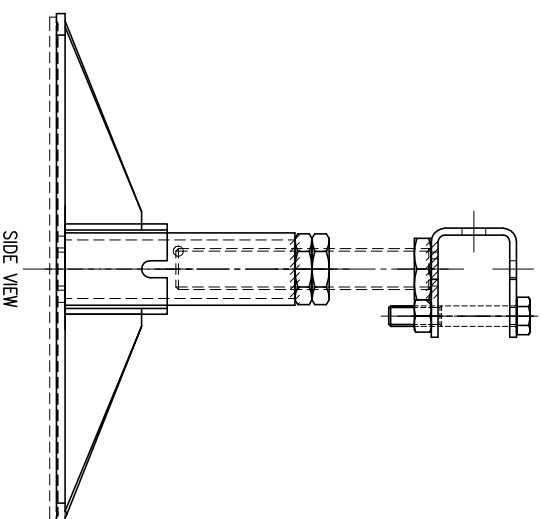
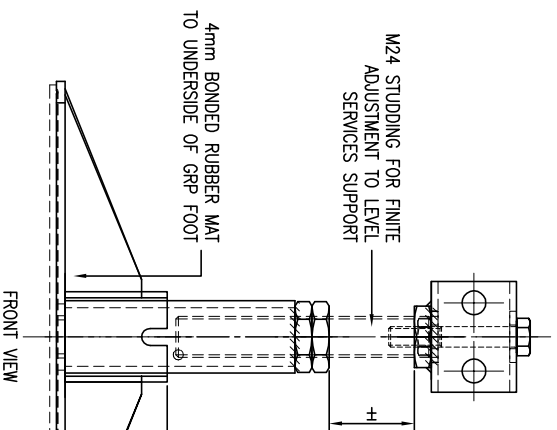
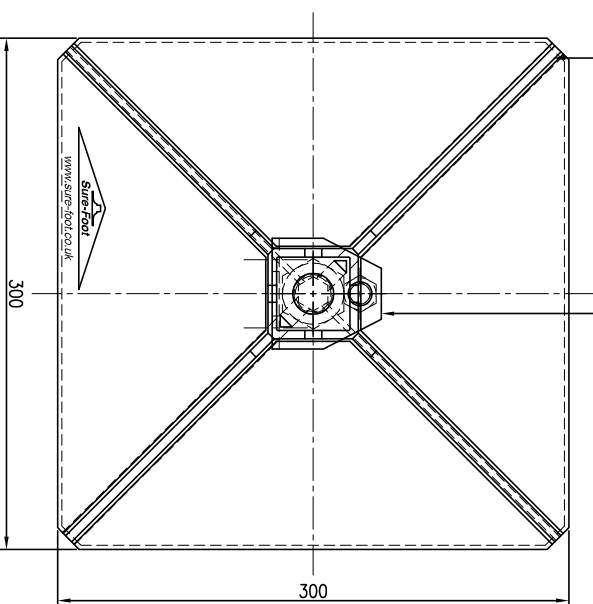


FIRST ANGLE PROJECTION - DO NOT SCALE - IF IN DOUBT ASK - ALL MEASUREMENTS IN MM - REMOVE ALL SHARP EDGES - TOLERANCES UNLESS STATED LINEAR±0.5 TOL/ ANGULAR±0.5 DEG.

PRODUCT REFERENCE: SF300-BL  
 CONTENTS: 1x 300 BASEmm  
 1 x SURE-FOOT THREADED LEG

DRAINAGE CHANNELS TO UNDERSIDE OF GRP FOOT  
 SURE-FOOT COMPLETE LEG ASSEMBLY COMPATIBLE WITH SURE-FOOT 40x40 BOX SECTION FRAMES (SOLD SEPERATELY) & 41x41 STRUT (SUPPLIED BY OTHERS)



© COPYRIGHT ROOF-PRO LTD

REMARKS:  
 THIS DRAWING IS INDICATIVE OF THE SURE-FOOT RANGE OF STANDARD COMPONENTS ONLY. IT IS THE CLIENT'S RESPONSIBILITY TO ENSURE THE USE OF THESE COMPONENTS IS SUITABLE FOR THEIR SPECIFIC REQUIREMENTS.



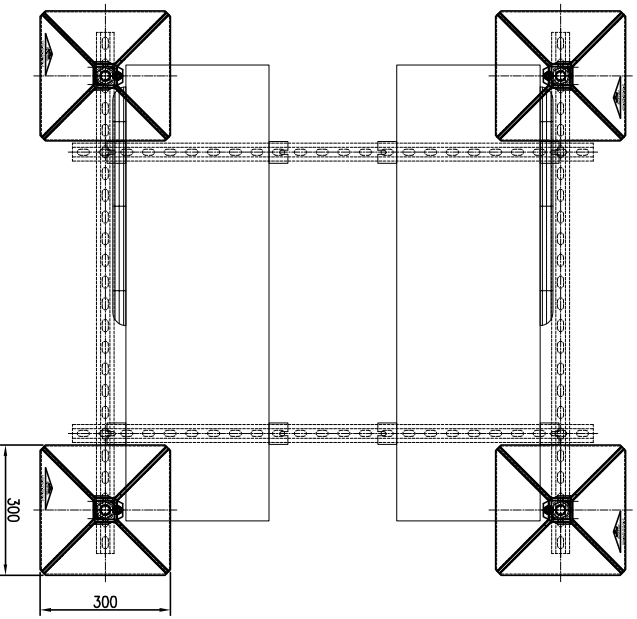
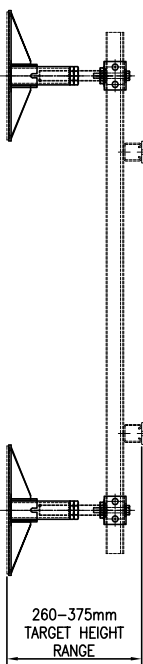
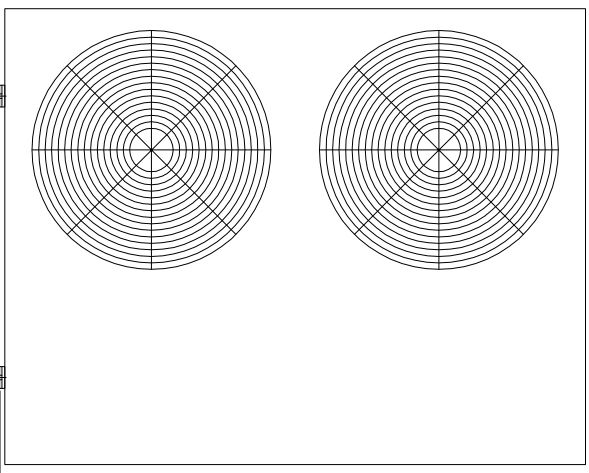
Polwell Lane, off Station Road  
 Burton Latimer, NN15 5PS, UK

Tel: +44 (0)1536 383 865  
 Email: surefoot@roof-pro.co.uk  
 Website: www.roof-pro.co.uk

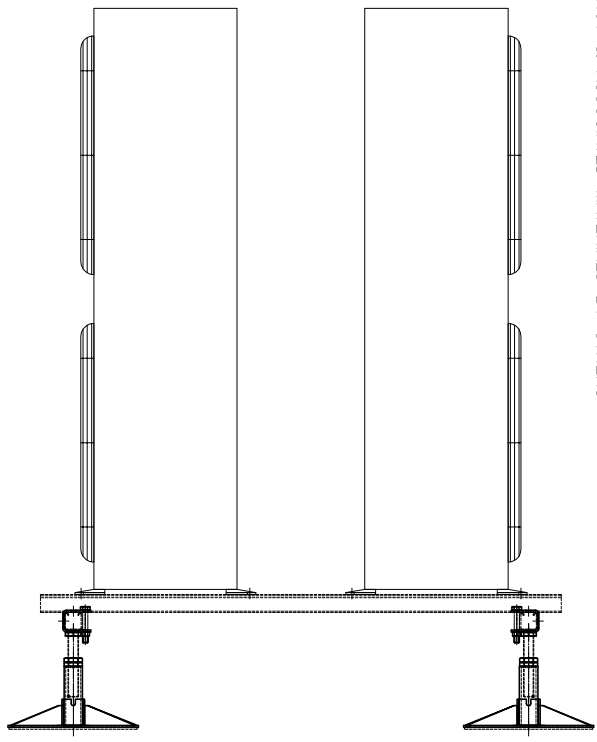
PRODUCT:  
**300 BASE & LEG**



SCALE @ A4:	NTS	
DRAWN BY:	CAD	
DATE:	01/04/14	
CHECKED BY:	CAD	
DATE:	01/04/14	REV:
DRAWING No.	SF300-BL 1	-



TYPICAL SUPPORT EXAMPLE  
 ORDER REQUIREMENTS 4x SF300-BL  
 NOTE: ALL STRUT & ASSOCIATED MATERIALS BY OTHERS



REMARKS: © COPYRIGHT ROOF-PRO LTD

THIS DRAWING IS INDICATIVE OF THE SURE-FOOT RANGE OF STANDARD COMPONENTS ONLY. IT IS THE CLIENT'S RESPONSIBILITY TO ENSURE THE USE OF THESE COMPONENTS IS SUITABLE FOR THEIR SPECIFIC REQUIREMENTS.



Polwell Lane, off Station Road  
 Burton Latimer, NN15 5PS, UK  
 Tel: +44 (0)1536 383 865  
 Email: surefoot@roof-pro.co.uk  
 Website: www.roof-pro.co.uk

PRODUCT:  
 300 BASE & LEG  
 TYPICAL APPLICATION



SCALE @ A4:	NTS
DRAWN BY:	CAD
DATE:	01/04/14
CHECKED BY:	CAD
DATE:	01/04/14
DRAWING No.	SF300-BL 2
REV:	-