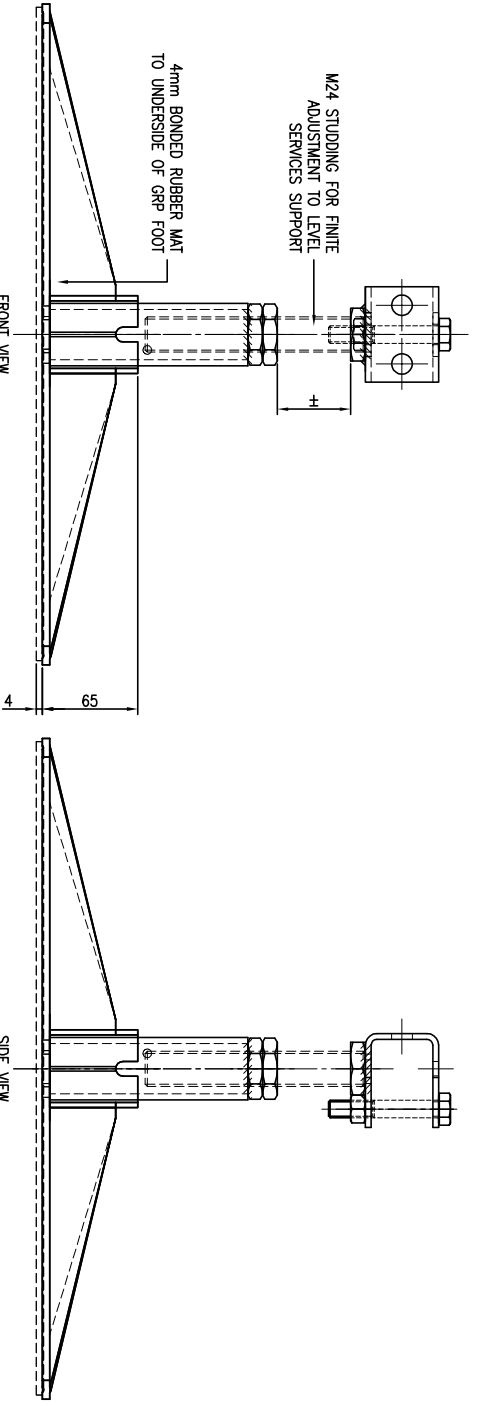
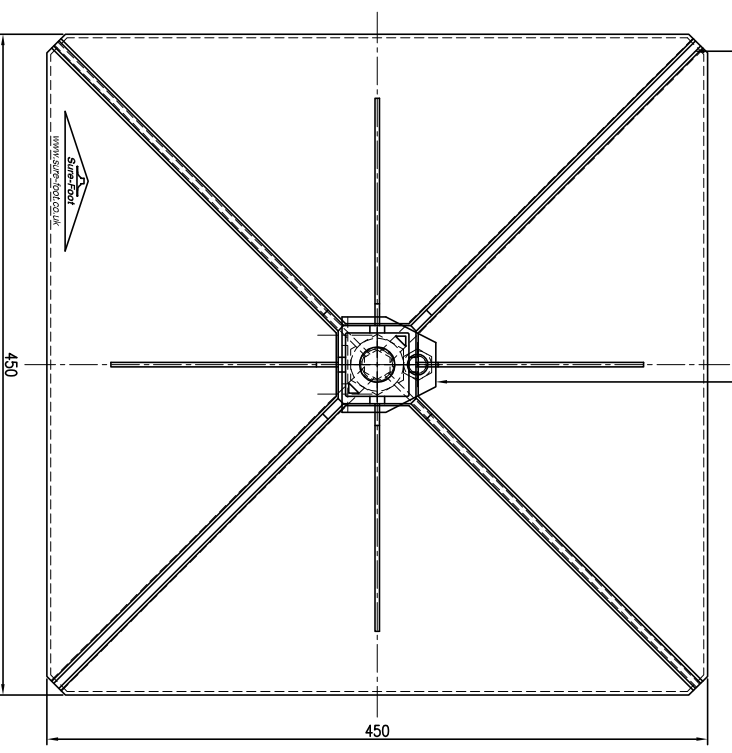


FIRST ANGLE PROJECTION - DO NOT SCALE - IF IN DOUBT ASK - ALL MEASUREMENTS IN MM - REMOVE ALL SHARP EDGES - TOLERANCES UNLESS STATED LINEAR±0.5 TOL/ ANGULAR±0.5 DEG.

PRODUCT REFERENCE: SF450-BL
 CONTENTS: 1x SURE-FOOT 450mm
 1 x SURE-FOOT THREADED LEG

DRAINAGE CHANNELS TO
 UNDERSIDE OF GRP FOOT

SURE-FOOT COMPLETE LEG ASSEMBLY COMPATIBLE
 WITH SURE-FOOT 40x40 BOX SECTION FRAMES
 (SOLD SEPARATELY) & 41x41 STRUT (SUPPLIED BY OTHERS)



REMARKS: © COPYRIGHT ROOF-PRO LTD

THIS DRAWING IS INDICATIVE OF THE SURE-FOOT RANGE OF STANDARD COMPONENTS ONLY. IT IS THE CLIENT'S RESPONSIBILITY TO ENSURE THE USE OF THESE COMPONENTS IS SUITABLE FOR THEIR SPECIFIC REQUIREMENTS.

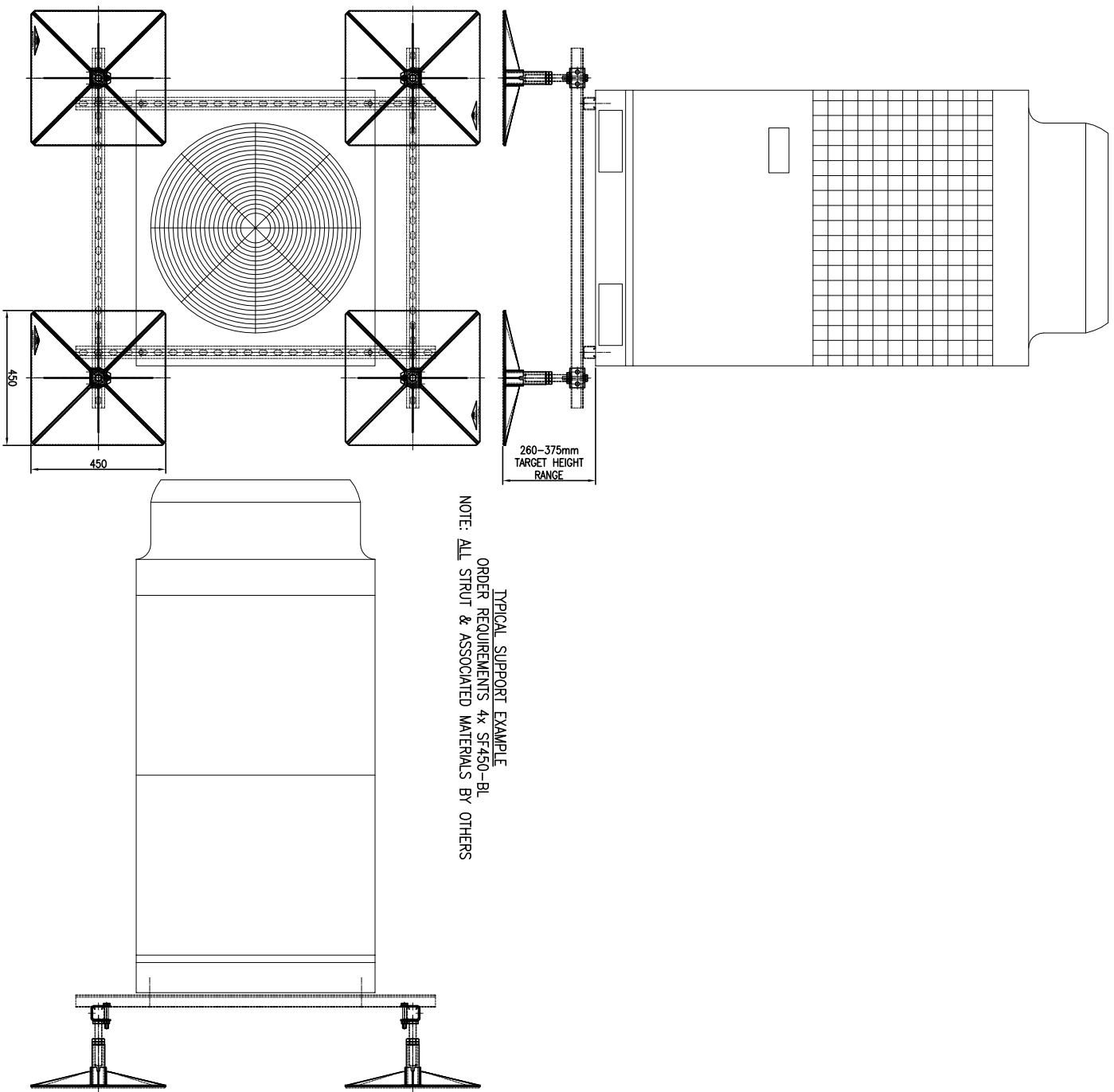


Polwell Lane, off Station Road
 Burton Latimer, NN15 5PS, UK
 Tel: +44 (0)1536 383 865
 Email: surefoot@roof-pro.co.uk
 Website: www.roof-pro.co.uk

PRODUCT:
450 BASE & LEG



SCALE @ A4:	NTS	
DRAWN BY:	CAD	
DATE:	01/04/14	
CHECKED BY:	CAD	
DATE:	01/04/14	REV:
DRAWING No.	SF450-BL 1	-



REMARKS: © COPYRIGHT ROOF-PRO LTD

THIS DRAWING IS INDICATIVE OF THE SURE-FOOT RANGE OF STANDARD COMPONENTS ONLY. IT IS THE CLIENT'S RESPONSIBILITY TO ENSURE THE USE OF THESE COMPONENTS IS SUITABLE FOR THEIR SPECIFIC REQUIREMENTS.



Polwell Lane, off Station Road
Burton Latimer, NN15 5PS, UK
Tel: +44 (0)1536 383 865
Email: surefoot@roof-pro.co.uk
Website: www.roof-pro.co.uk

PRODUCT:
450 BASE & LEG
TYPICAL APPLICATION



SCALE @ A4:	NTS
DRAWN BY:	CAD
DATE:	01/04/14
CHECKED BY:	CAD
DATE:	01/04/14
DRAWING No.	SF450-BL 2
REV:	-