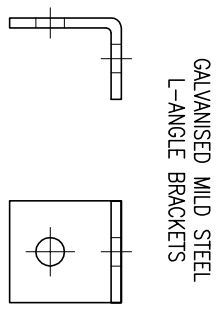
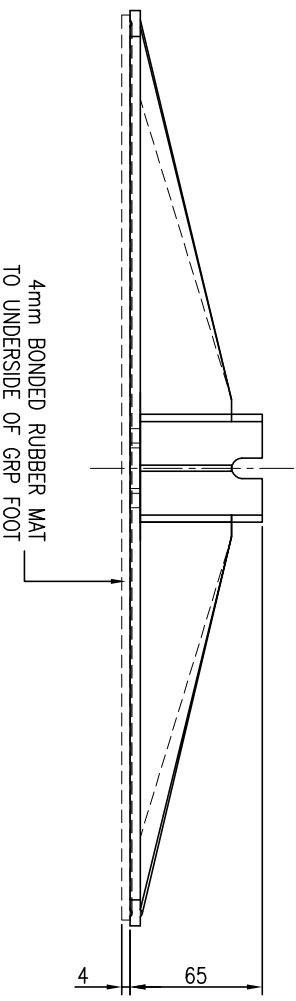
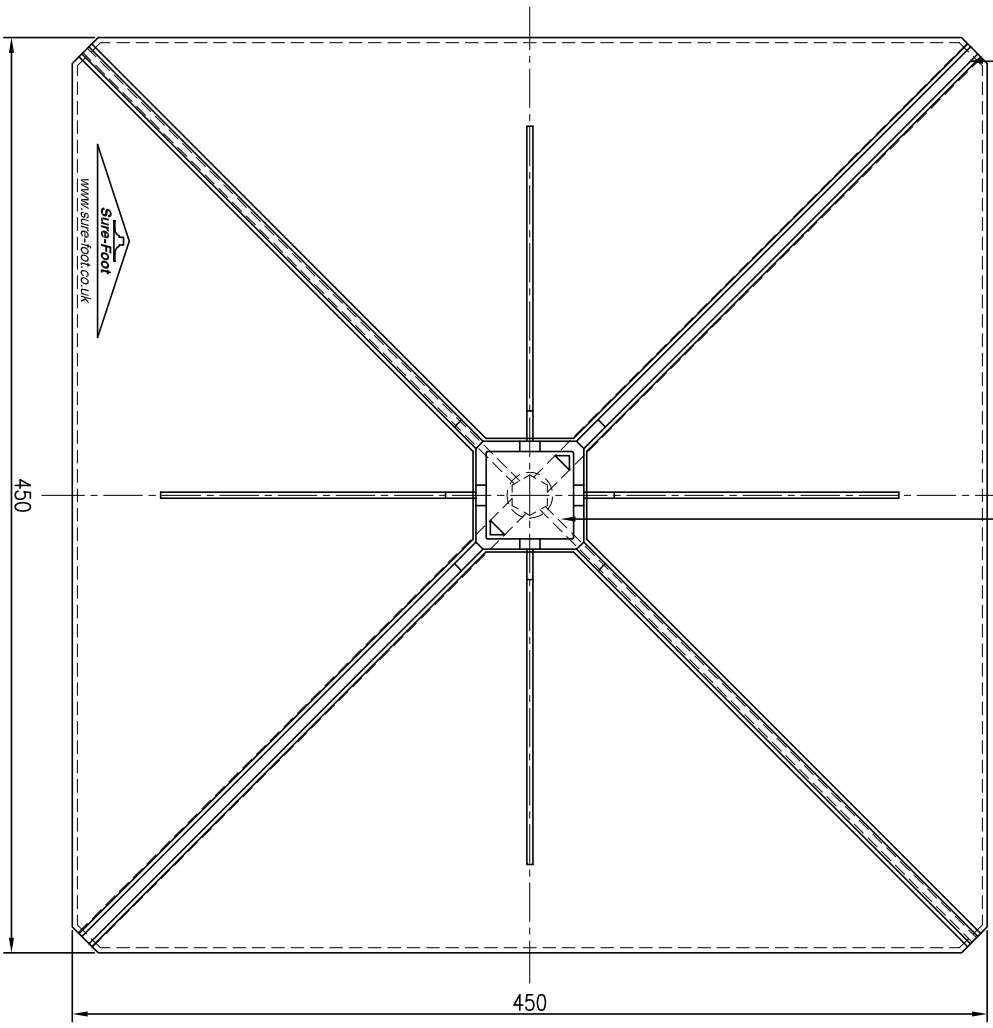
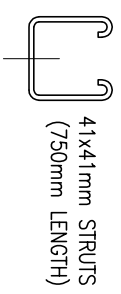
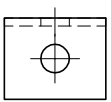


FIRST ANGLE PROJECTION - DO NOT SCALE - IF IN DOUBT ASK - ALL MEASUREMENTS IN MM - REMOVE ALL SHARP EDGES - TOLERANCES UNLESS STATED LINEAR±0.5 TOL/ ANGULAR±0.5 DEG.

DRAINAGE CHANNELS TO UNDERSIDE OF GRP FOOT  
DESIGNED TO SUIT 41x41 STRUT SUPPLIED BY OTHERS



GALVANISED MILD STEEL L-ANGLE BRACKETS



41x41mm STRUTS (750mm LENGTH)

REMARKS: © COPYRIGHT ROOF-PRO LTD

THIS DRAWING IS INDICATIVE OF THE SURE-FOOT RANGE OF STANDARD COMPONENTS ONLY. IT IS THE CLIENT'S RESPONSIBILITY TO ENSURE THE USE OF THESE COMPONENTS IS SUITABLE FOR THEIR SPECIFIC REQUIREMENTS.



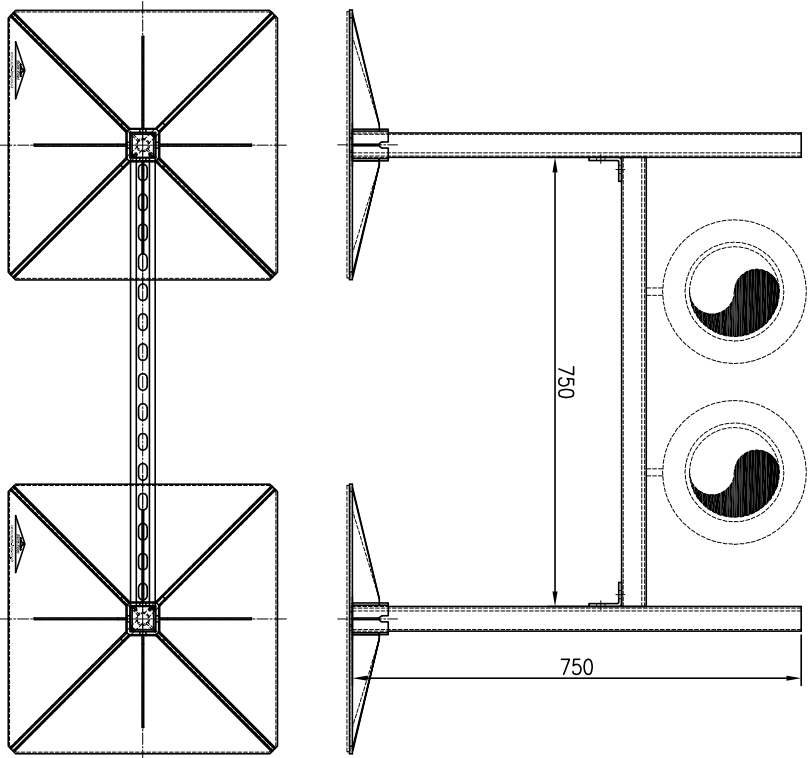
Polwell Lane, off Station Road  
Burton Latimer, NN15 5PS, UK  
Tel: +44 (0)1536 383 865  
Email: surefoot@roof-pro.co.uk  
Website: www.roof-pro.co.uk

PRODUCT: 450 H FRAME

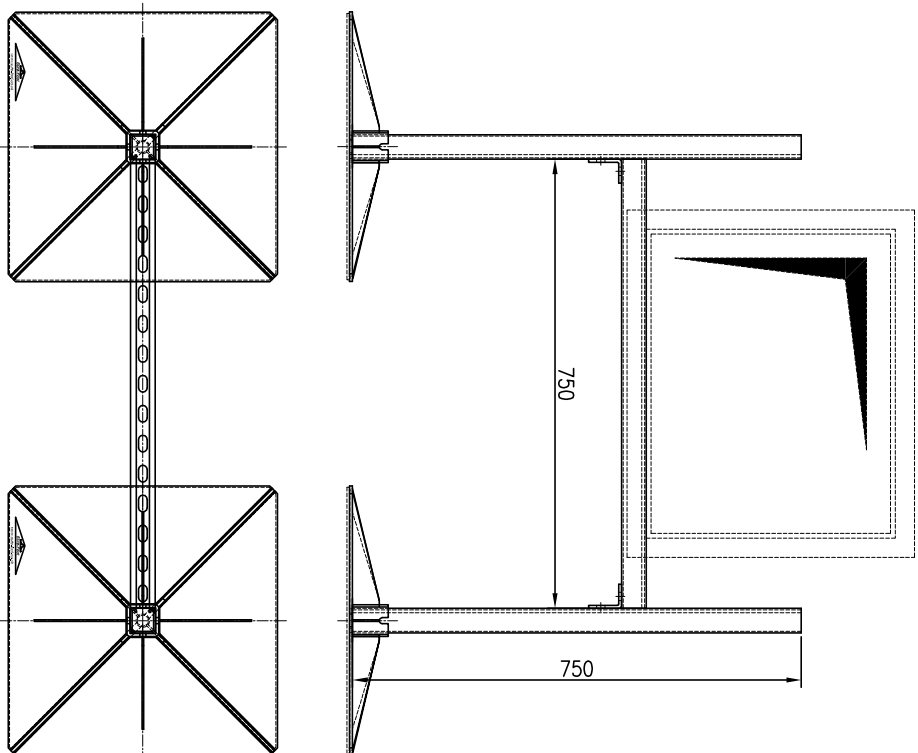


|             |           |
|-------------|-----------|
| SCALE @ A4: | NTS       |
| DRAWN BY:   | CAD       |
| DATE:       | 01/04/14  |
| CHECKED BY: | CAD       |
| DATE:       | 01/04/14  |
| DRAWING No. | SF450-H 1 |

REMARKS:  
 THIS DRAWING IS INDICATIVE OF THE SURE-FOOT RANGE OF STANDARD COMPONENTS ONLY. IT IS THE CLIENT'S RESPONSIBILITY TO ENSURE THE USE OF THESE COMPONENTS IS SUITABLE FOR THEIR SPECIFIC REQUIREMENTS.



TYPICAL SUPPORT EXAMPLE  
 ORDER REQUIREMENTS SF450-H



TYPICAL SUPPORT EXAMPLE  
 ORDER REQUIREMENTS SF450-H



Polwell Lane, off Station Road  
 Burton Latimer, NN15 5PS, UK

Tel: +44 (0)1536 383 865  
 Email: surefoot@roof-pro.co.uk  
 Website: www.roof-pro.co.uk

PRODUCT:  
 450 H FRAME  
 TYPICAL APPLICATIONS



|             |           |
|-------------|-----------|
| SCALE @ A4: | NTS       |
| DRAWN BY:   | CAD       |
| DATE:       | 01/04/14  |
| CHECKED BY: | CAD       |
| DATE:       | 01/04/14  |
| DRAWING No. | SF450-H 2 |
| REV:        | -         |