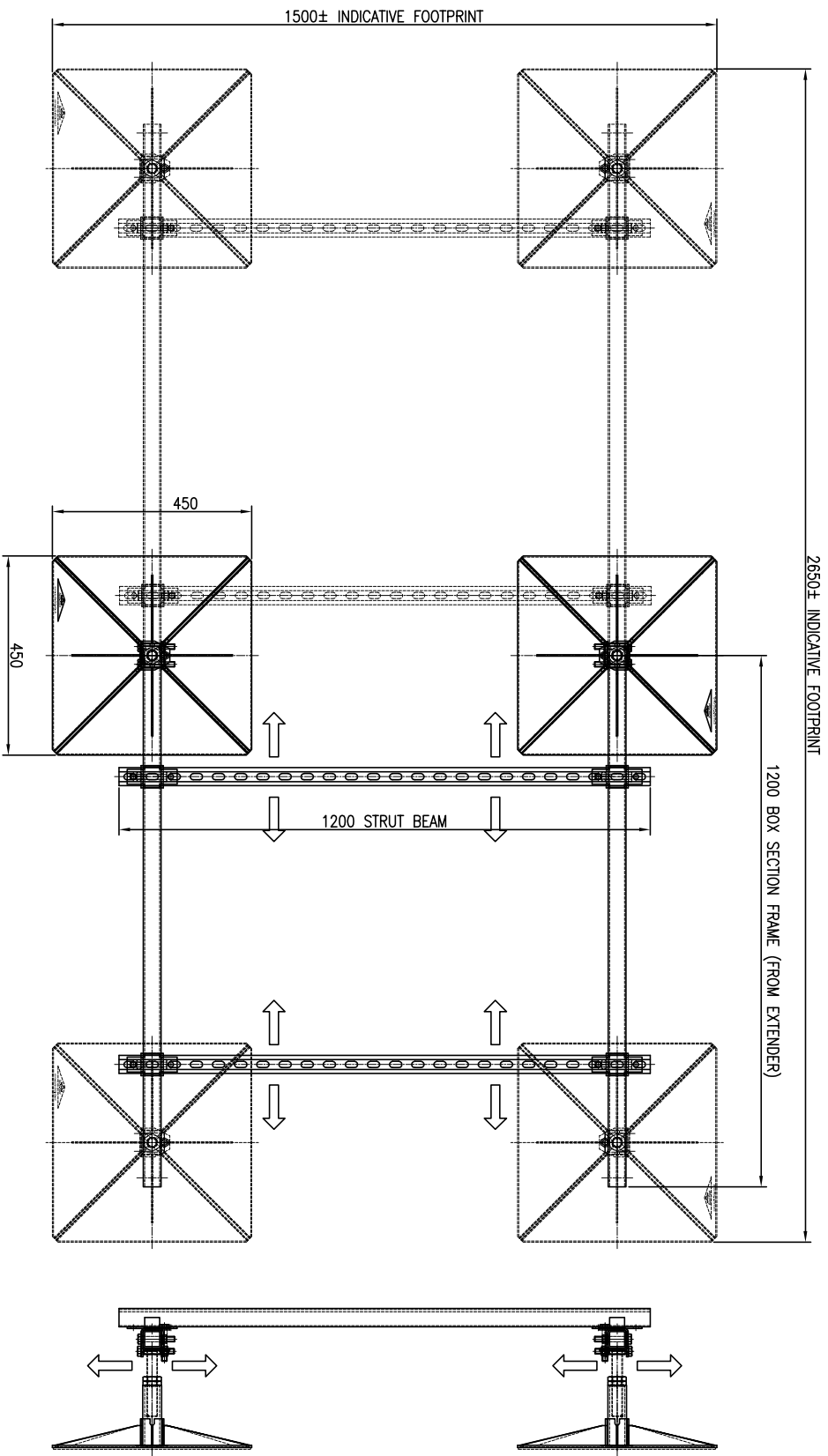
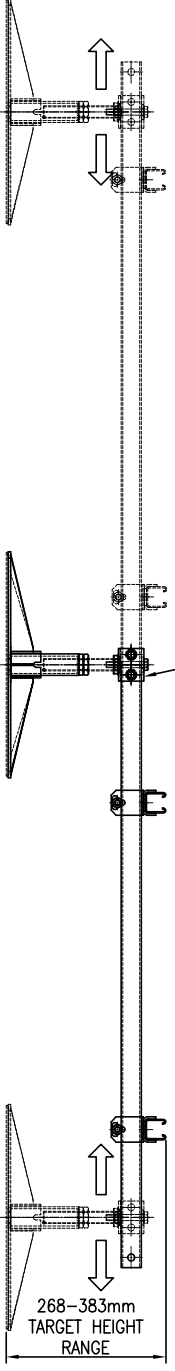


FIRST ANGLE PROJECTION - DO NOT SCALE - IF IN DOUBT ASK - ALL MEASUREMENTS IN MM - REMOVE ALL SHARP EDGES - TOLERANCES UNLESS STATED LINEAR±0.5 TOL/ ANGULAR±0.5 DEG.

THREADED LEG WITH FIXINGS SUPPLIED WITH EXTENDER FRAME  
TO BE USED AS A CONNECTING LEG BETWEEN BASE FRAME &  
EXTENDER FRAME. NOTE: CENTRAL LEG POSITION FIXED.

OUTER THREADED LEGS & ALL STRUT BEAMS  
ADJUSTABLE ALONG FRAME WIDTH & DEPTH  
TO SUIT RANGE OF APPLICATIONS



PRODUCT REFERENCE: SF450-EF-1.2M  
- TYPICAL ASSEMBLED COMPONENTS  
NOTE: REQUIRES SURE-FOOT BASE FRAME (SOLD SEPARATELY)  
BASE FRAME COMPONENTS SHOWN IN HIDDEN DETAIL

© COPYRIGHT ROOF-PRO LTD

REMARKS:  
THIS DRAWING IS INDICATIVE OF THE SURE-FOOT RANGE OF STANDARD COMPONENTS ONLY. IT IS THE CLIENT'S RESPONSIBILITY TO ENSURE THE USE OF THESE COMPONENTS IS SUITABLE FOR THEIR SPECIFIC REQUIREMENTS.



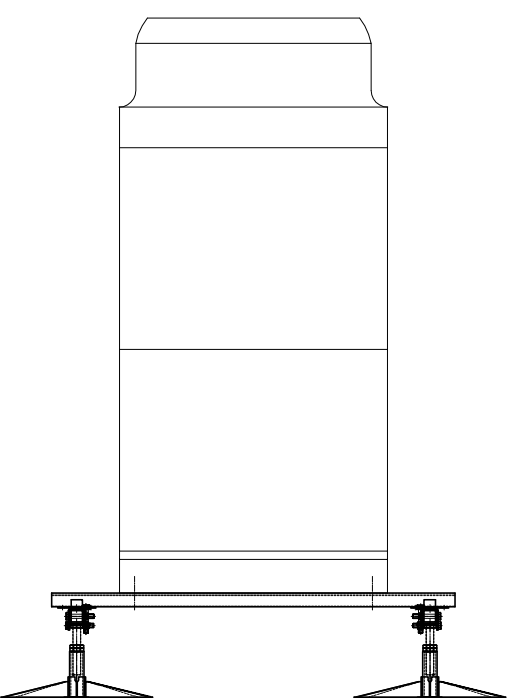
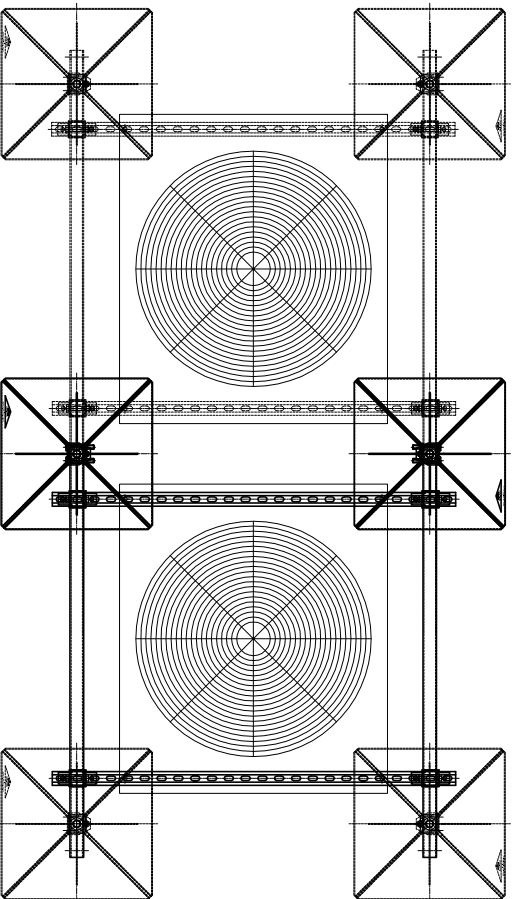
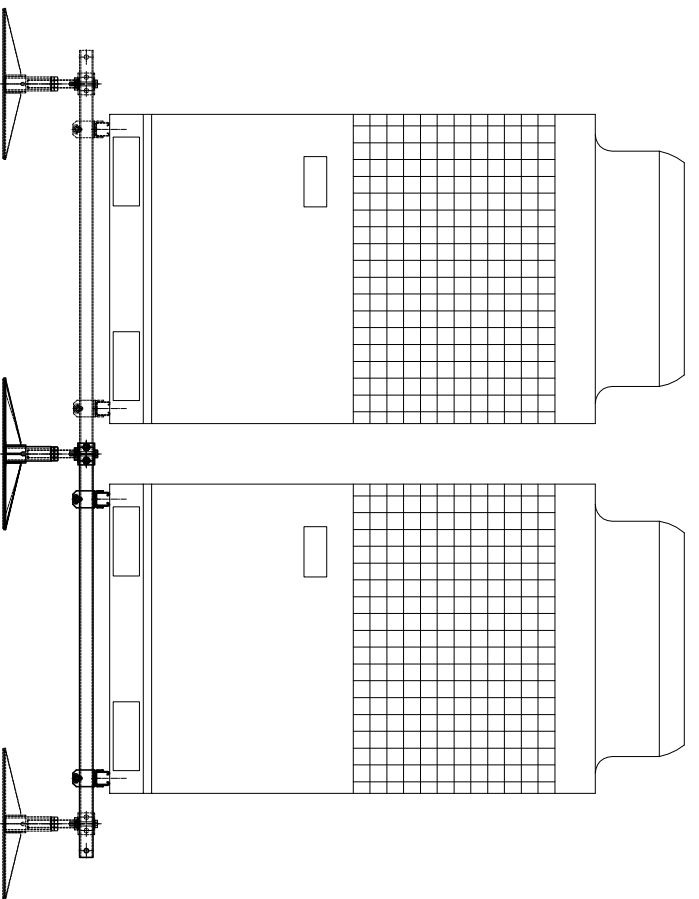
Polwell Lane, off Station Road  
Burton Latimer, NN15 5PS, UK  
Tel: +44 (0)1536 383 865  
Email: surefoot@roof-pro.co.uk  
Website: www.roof-pro.co.uk

PRODUCT:  
**450 EXTENDER FRAME (1.2M)**



SCALE @ A4:	NTS
DRAWN BY:	CAD
DATE:	01/04/14
CHECKED BY:	CAD
DATE:	01/04/14
DRAWING No.	SF450-EF-1.2M 1
REV:	-

REMARKS: © COPYRIGHT ROOF-PRO LTD  
 THIS DRAWING IS INDICATIVE OF THE SURE-FOOT RANGE OF STANDARD COMPONENTS ONLY. IT IS THE CLIENT'S RESPONSIBILITY TO ENSURE THE USE OF THESE COMPONENTS IS SUITABLE FOR THEIR SPECIFIC REQUIREMENTS.



**Polwell Lane, off Station Road  
 Burton Latimer, NN15 5PS, UK**  
 Tel: +44 (0)1536 383 865  
 Email: [surefoot@roof-pro.co.uk](mailto:surefoot@roof-pro.co.uk)  
 Website: [www.roof-pro.co.uk](http://www.roof-pro.co.uk)

PRODUCT:  
**450 EXTENDER FRAME (1.2M)**  
 TYPICAL APPLICATION



SCALE @ A4:	NTS
DRAWN BY:	CAD
DATE:	01/04/14
CHECKED BY:	CAD
DATE:	01/04/14
DRAWING No.	SFA50-EF-1.2M 2
REV:	-