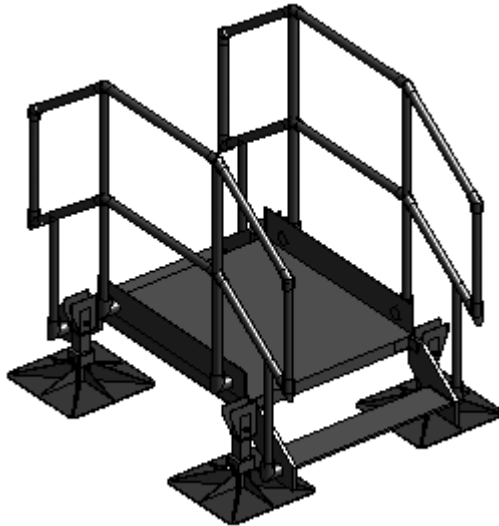


Step Over Stairs_1 step



Family Types

Name:

| Parameter | Value | Formula | Lock |
|----------------------------------|--|---------|-------------------------------------|
| Materials and Finishes | | | |
| Stairs | Metal - Steel Galvanised | = | |
| Rubber | Plastic - Black Generic | = | |
| Base | Metal - Steel Galvanised | = | |
| Dimensions | | | |
| WIDTH (default) | 1000.0 | = | <input type="checkbox"/> |
| Main Staging Thickness (default) | 60.0 | = | <input checked="" type="checkbox"/> |
| LENGTH (default) | 1000.0 | = | <input type="checkbox"/> |
| Identity Data | | | |
| URL | www.roof-pro.co.uk | = | |
| Telephone | +44 (0) 1234 843 790 | = | |
| Manufacturer | Roof-Pro LTD | = | |
| Fax | +44 (0) 1234 856 259 | = | |
| Email | cad@roof-pro.co.uk | = | |
| Description | Steel Frame | = | |
| Address | P O Box 505, Kempston, Bedford MK42 7L | = | |
| Keynote | | = | |
| Model | | = | |
| Type Comments | | = | |
| Assembly Code | | = | |
| Cost | | = | |

Family Types

New...

Rename...

Delete

Parameters

Add...

Modify...

Remove

OK Cancel Apply Help