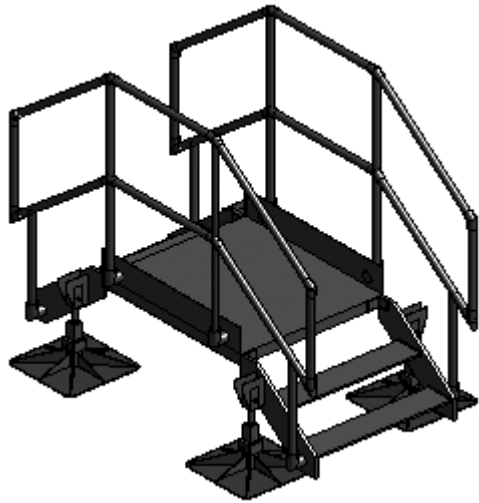


Step Over Stairs_2 steps



Family Types

Name:

Parameter	Value	Formula	Lock
Materials and Finishes			
Stairs	Metal - Steel Galvanised	=	
Rubber	Plastic - Black Generic	=	
Base	Metal - Steel Galvanised	=	
Dimensions			
WIDTH (default)	1000.0	=	<input type="checkbox"/>
Main Staging Thickness (default)	60.0	=	<input checked="" type="checkbox"/>
LENGTH (default)	1000.0	=	<input type="checkbox"/>
Identity Data			
URL	www.roof-pro.co.uk	=	
Telephone	+44 (0) 1234 843 790	=	
Manufacturer	Roof-Pro LTD	=	
Fax	+44 (0) 1234 856 259	=	
Email	cad@roof-pro.co.uk	=	
Description	Steel Frame	=	
Address	P.O.Box 505, Kempston, Bedford MK42 7L	=	
Keynote		=	
Model		=	
Type Comments		=	
Assembly Code		=	
Cost		=	

Family Types

New...

Rename...

Delete

Parameters

Add...

Modify...

Remove

OK Cancel Apply Help