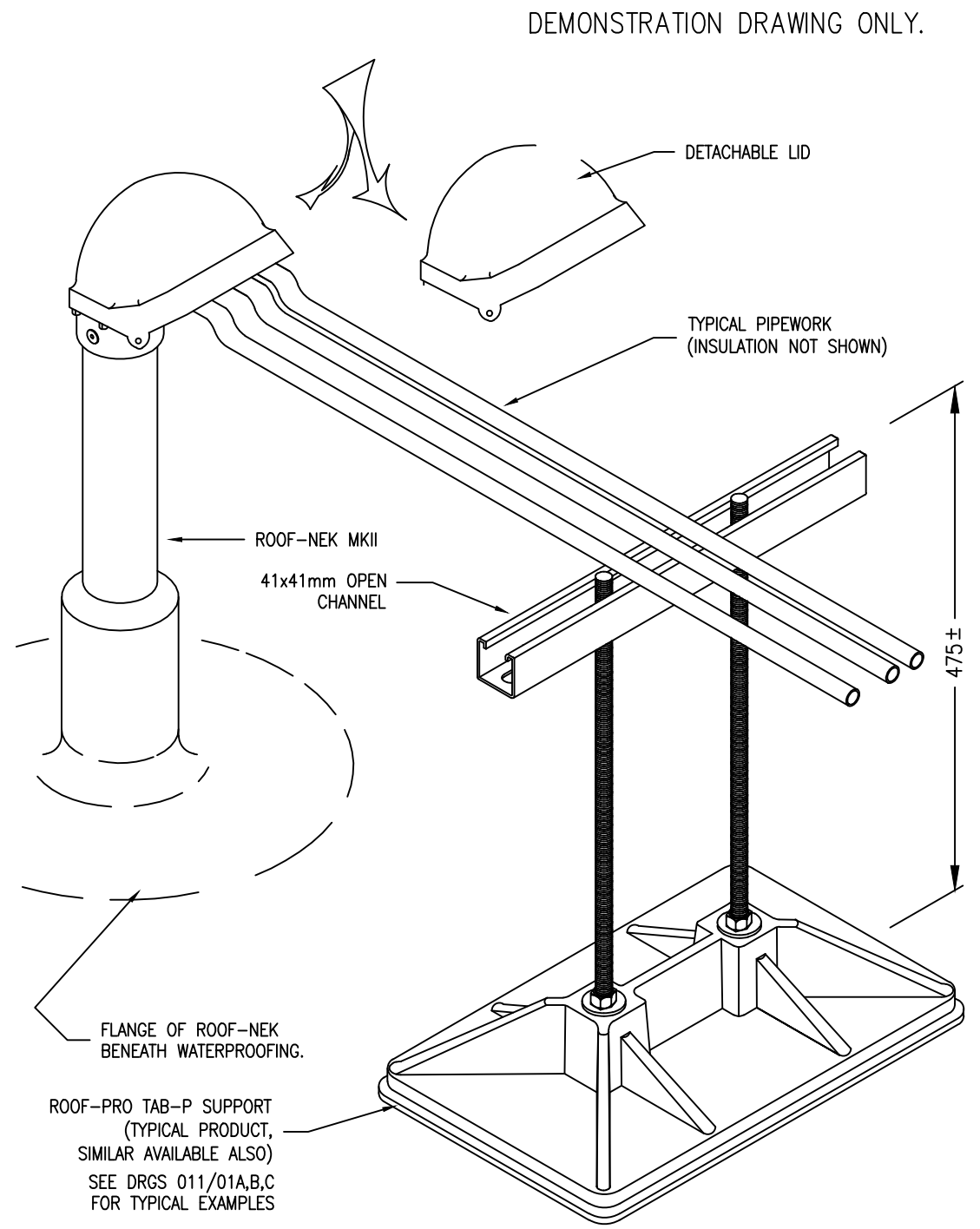
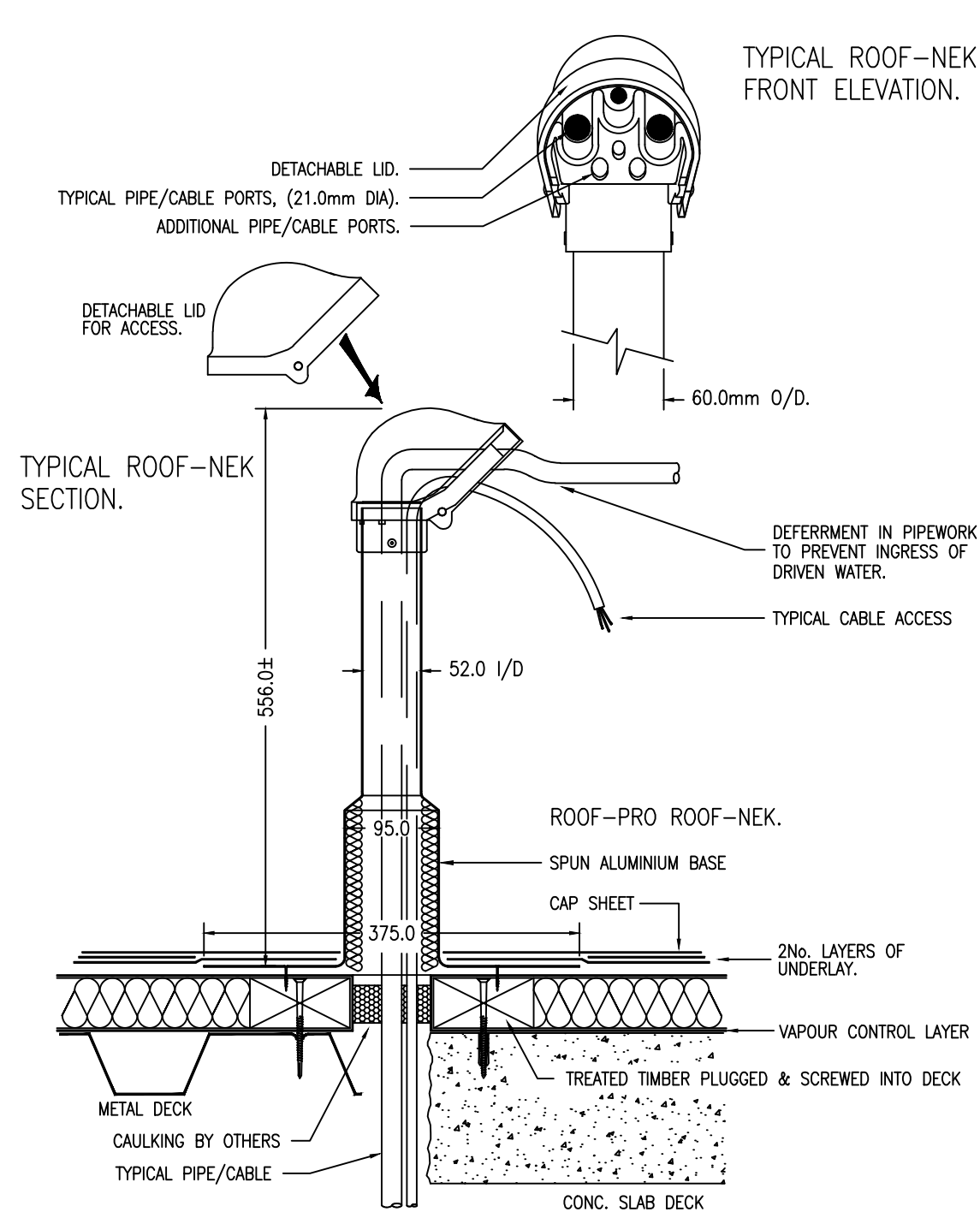


FIRST ANGLE PROJECTION — DO NOT SCALE — IF IN DOUBT ASK — ALL MEASUREMENTS IN MM — REMOVE ALL SHARP EDGES — TOLERANCES UNLESS STATED LINEAR±0.5 TOL/ ANGULAR±0.5 DEG.

REMARKS:



© COPYRIGHT ROOF-PRO

ISSUE 10	
ISSUE 9	
ISSUE 8	
ISSUE 7	
ISSUE 6	
ISSUE 5	
ISSUE 4	
ISSUE 3	
ISSUE 2	02.03.16
ISSUE 1	26.06.12

**ROOF-PRO**  
ROOFTOP MANAGEMENT SYSTEMS

Polwell Lane, off Station Road  
Burton Latimer NN15 5PS, UK  
Tel: +44 (0)1744 648 400  
Email: cad@roof-pro.co.uk  
Website: www.roof-pro.co.uk

PRODUCT:  
ROOF-NEK II 18"

MATERIAL/FINISH:  
SPUN ALUMINIUM

SCALE @ A3:	N.T.S.
DRAWN BY:	CAD
DATE:	26/06/12
CHECKED BY:	CAD
DATE:	26/06/12

DRAWING No: FT-016